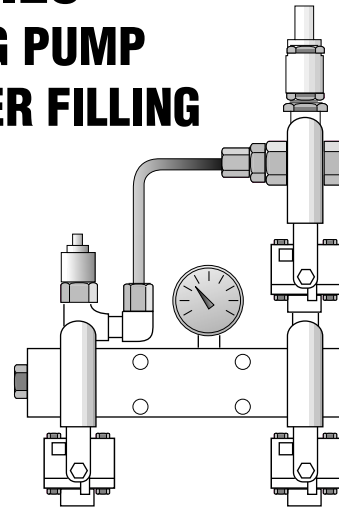
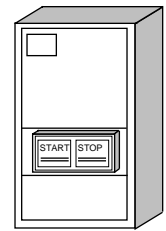


SDPD SERIES RECIPROCATING PUMP SKID AND CYLINDER FILLING SYSTEM



MANIFOLD



PUMP STARTER

The SDPD series reciprocating pump has been developed to meet the demand for a rugged, reliable and economically priced high pressure pump for Carbon Dioxide and Nitrous Oxide cylinder filling. Originally developed in Europe and further refined in the United States, the performance of this pump has been thoroughly proven under the most demanding operating conditions.

The heavy duty cam shaft and main bearing design produce extended drive end life. The preloaded, self-adjusting wedge seal and spring energized scraper ring allow for smooth and trouble free cold-end operation.

This “SDPD Cylinder Filling System” comes complete with the SDPD Skid Assembly, Remote Starter, Suction Strainer, Flex Line and Dual Cylinder Filling Manifold.

Specifications Liquids Pumped:

- Carbon Dioxide– 2.6 GPM (22 LBS.)
- Nitrous Oxide – 2.6 GPM (26 LBS.)

Maximum Discharge Pressure

- 1700 PSIG

Maximum Suction Pressure

- 350 PSIG

Input Power

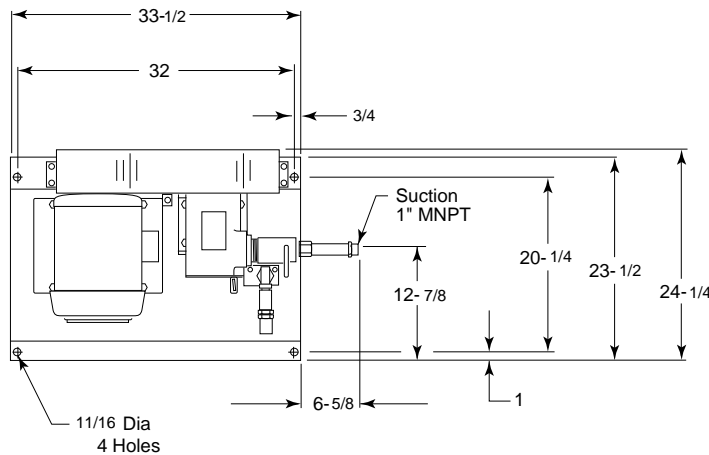
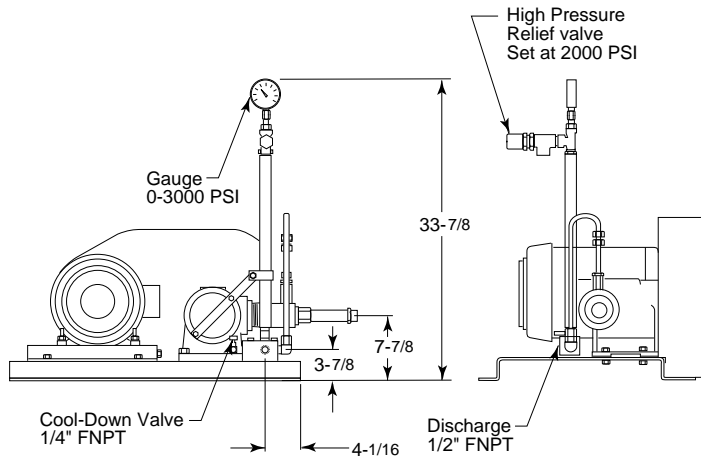
- 230/460 vac, 3ph, 60HZ,
575 vac, 3ph, 60HZ

CYLINDER FILLING PUMP SKIDS

CYLINDER FILLING PUMP SKIDS

SDPD SERIES

Dimensions (inches)



* Performance and installation data should be used for reference only. Contact ACD, Inc. if certified information is required.

Scope of Supply:

- 7.5 TEFC electric motor
- Galvanized steel base with belt drive and plastic belt guard
- Push button starter with overloads (in NEMA enclosure)
- Surge chamber and discharge line
- Relief valve
- Pressure gauge and snubber
- Suction flex line
- Dual cylinder manifold with bypass and adjustable regulator

Skid Settings:

- High pressure relief valve set at 2000 PSIG
- Pump speed – 450 RPM
- Pressure gauge range – 0-3000 PSIG



2321 S. Pullman St., Santa Ana, CA 92705
 Phone: 714/261-7533 Fax: 714/261-6285 1-800-525-4216



Service Centers

Cryocal, Inc.
 2110-H S. Lyon
 Santa Ana, CA 92705
 Phone: 714/724-8636
 Fax: 714/641-1921

Pittsburgh Cryogenic Services, Inc.
 767 State Route 30
 Imperial, PA 15126
 Phone: 412/695-1910 or
 800/327-6461
 Fax: 412/695-1926

CryoCanada, Inc.
 530 McNicoll Avenue
 North York, Ontario Canada
 M2H 2E1
 Phone: 416/502-1950
 Fax: 416/502-1952

ACD Representative: